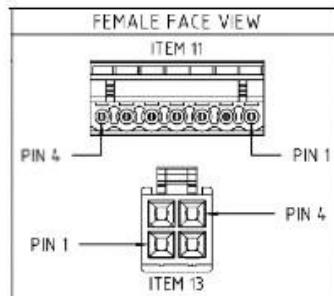
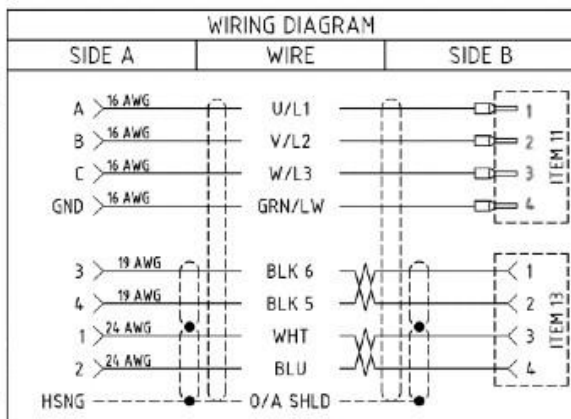
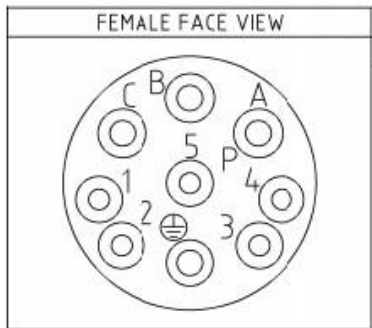
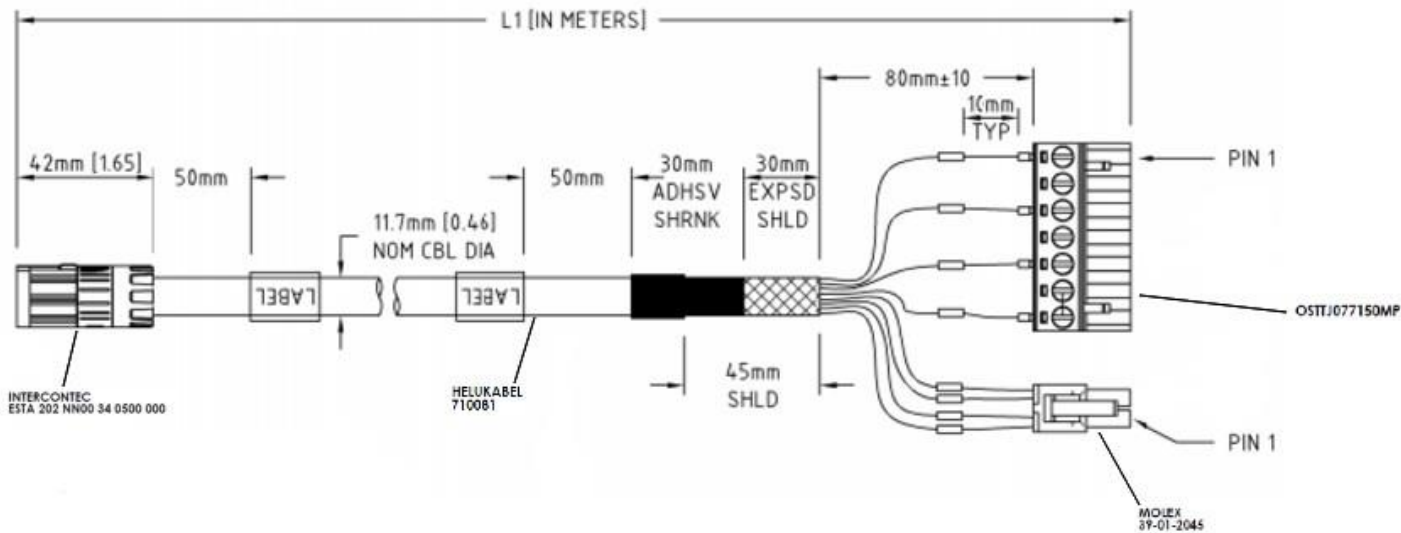


4

3

2

1



PROPRIETARY AND CONFIDENTIAL  
 THE INFORMATION CONTAINED IN THIS  
 DRAWING IS THE SOLE PROPERTY OF  
 <INSERT COMPANY NAME HERE>. ANY  
 REPRODUCTION IN PART OR AS A WHOLE  
 WITHOUT THE WRITTEN PERMISSION OF  
 <INSERT COMPANY NAME HERE> IS  
 PROHIBITED.

PRODUCTION PART NUMBERS ARE ADJUSTED SO THAT "X"  
 IS REPLACED WITH THE CABLE LENGTH (L1) IN METERS

UNLESS OTHERWISE SPECIFIED:  
 DIMENSIONS ARE IN INCHES  
 TOLERANCES:  
 FRACTIONAL: ±  
 ANGULAR: MACH ± BEND ±  
 TWO PLACE DECIMAL ±  
 THREE PLACE DECIMAL ±

**Allied Motion**

TITLE:  
**HDA-CB-DSL-X**

SIZE	DWG. NO.	REV
<b>B</b>		

DO NOT SCALE DRAWING SHEET 1 OF 1

4

3

2

1